

### Features:

- No UV or IR light radiation.
- Provide 120° beam angles.
- Very Low Power Consumption:  
Less than 7Watts
- Long lifetime: 25000 hours (L<sub>70</sub>).
- Sturdy Construction:  
UV Stabilized C Lens and Aluminium alloy Lamp Shell.
- High CRI: 75-85
- Correlated Color Temperature: 2700-12000K
- Operating temperature: -20°C~+60°C.
- 100~240V AC input.



### Benefits

- Energy Cost Savings:  
Over 60% Compared to Incandescent.
- Solid-State:  
High-Shock & High-Vibration Resistant,  
Both Electrical and Mechanical
- Eco-Friendly:  
No Mercury, No Lead Content
- No Hazardous Emissions:  
No UV or IR Radiation
- Constant Light Output:  
Even Lighting, Non-Halation

### Application:

- Mall center lighting
- Corridor lighting
- Furniture lighting
- Hotel lighting
- Other lighting

### Product Specifications:

Lens	PC
Lamp Shell	Aluminium alloy
Input Voltage	100~240V AC
Hole Diameter	∅ 95mm
Wattage	7W
Power Factor	PF ≥ 0.7
Operating frequency	50-60Hz
Operating Temperature	-20°C ∽ +60°C
Storage Temperature	-30°C ∽ +70°C
Net Weight per piece (g)	237g
Certification	CE Approved; RoHS Compliant

### Product Selection Guide:

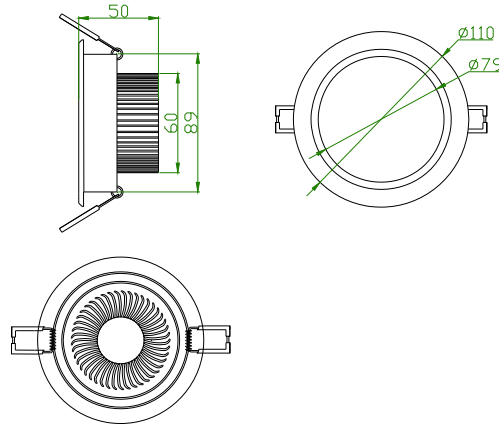
Product	Beam Angle	Total Lumens	CCT	Color	CRI
DL-WW14C	120	460 ± 5%	2700-3500K	Warm White	≥ 80
DL-NW14C	120	460 ± 5%	4500-5000K	Neutral White	≥ 80
DL-W14C	120	490 ± 5%	6000-6500K	White	≥ 75

## DL-XX/14/C

①      ②      ③      ④

- ① DL: Down light
- ② XX: WW: (Warm White)    NW( Neutral White)  
          W (White)
- ③ 14: 14pcs of LED
- ④ C:AC100-240V input

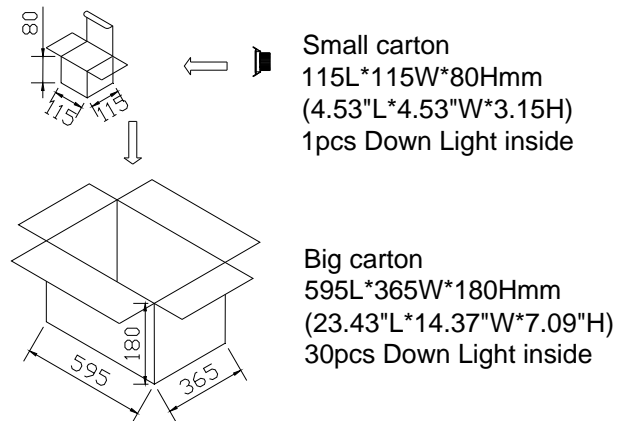
### Product Dimensions:



#### NOTES:

1. All dimensions unit in mm
2. Tolerances is  $\pm 0.5$ mm unless otherwise noted.

### Package Dimension



### Installation Instructions and Warnings:

- Turn off power before inspection, installation, or removal.
- Not for use where exposed to the weather
- Do not use in totally enclosed fixtures.
- Not for use with dimmers.