

## Features:



- No UV or IR light radiation.
- Provide 120° beam angles.
- Very Low Power Consumption:  
Less than 15Watts
- Long lifetime: 25000 hours (L<sub>70</sub>).
- Sturdy Construction:  
UV Stabilized C Lens and Aluminium alloy Lamp Shell.
- High CRI: 75-85
- Correlated Color Temperature: 2700-12000K
- Operating temperature: -20°C~+60°C.
- 100~240V AC input.

## Benefits

- Energy Cost Savings:  
Over 60% Compared to Incandescent.
- Solid-State:  
High-Shock & High-Vibration Resistant,  
Both Electrical and Mechanical
- Eco-Friendly:  
No Mercury, No Lead Content
- No Hazardous Emissions:  
No UV or IR Radiation
- Constant Light Output:  
Even Lighting, Non-Halation

## Application:

- Mall center lighting
- Corridor lighting
- Furniture lighting
- Hotel lighting
- Other lighting

### Product Specifications:

Lens	PC
Lamp Shell	Aluminium alloy
Input Voltage	100~240V AC
Hole Diameter	∅ 150mm
Wattage	15W
Power Factor	PF ≥ 0.9
Operating frequency	50-60Hz
Operating Temperature	-20°C ∽ +60°C
Storage Temperature	-30°C ∽ +70°C
Net Weight per piece (g)	654g
Certification	CE Approved; RoHS Compliant

### Product Selection Guide:

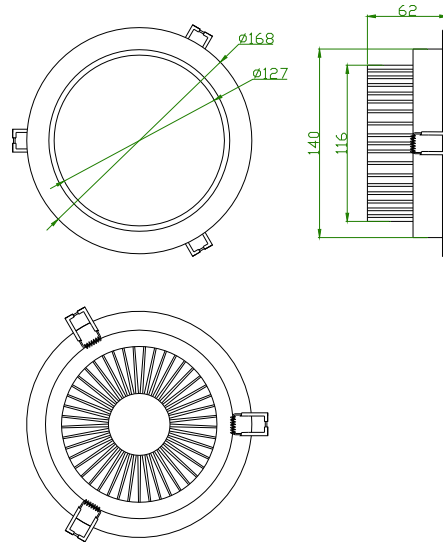
Product	Beam Angle	Total Lumens	CCT	Color	CRI
DL-WW30C	120	1061 ± 5%	2700-3500K	Warm White	≥ 80
DL-W30C	120	1161 ± 5%	6000-6500K	White	≥ 75

**DL- / XX / 30 / C**

①                      ②                      ③                      ④

- ① DL: Down light
- ② XX: WW: (Warm White) W (White)
- ③ 30: 30pcs of LED
- ④ C: AC100-240V input

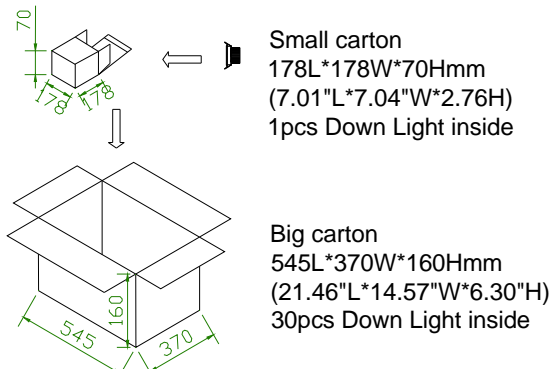
### Product Dimensions:



#### NOTES:

1. All dimensions unit in mm
2. Tolerances is  $\pm 0.5\text{mm}$  unless otherwise noted.

### Package Dimension



Small carton  
178L\*178W\*70Hmm  
(7.01"L\*7.04"W\*2.76H)  
1pcs Down Light inside

Big carton  
545L\*370W\*160Hmm  
(21.46"L\*14.57"W\*6.30"H)  
30pcs Down Light inside

### Installation Instructions and Warnings:

- Turn off power before inspection, installation, or removal.
- Not for use where exposed to the weather
- Do not use in totally enclosed fixtures.
- Not for use with dimmers.