

Features:

- No UV or IR light radiation.
- Provide 120° beam angles.
- Very Low Power Consumption:
Less than 24Watts
- Long lifetime: 25000 hours (L₇₀).
- Sturdy Construction:
UV Stabilized C Lens and Aluminium alloy Lamp Shell.
- High CRI: 75-85
- Correlated Color Temperature: 2700-12000K
- Operating temperature: -20°C~+60°C.
- 100~240V AC input.



Benefits

- Energy Cost Savings:
Over 60% Compared to Incandescent.
- Solid-State:
High-Shock & High-Vibration Resistant,
Both Electrical and Mechanical
- Eco-Friendly:
No Mercury, No Lead Content
- No Hazardous Emissions:
No UV or IR Radiation
- Constant Light Output:
Even Lighting, Non-Halation

Application:

- Mall center lighting
- Corridor lighting
- Furniture lighting
- Hotel lighting
- Other lighting

Product Specifications:

Lens	PC
Lamp Shell	Aluminium alloy
Input Voltage	100~240V AC
Hole Diameter	∅ 185mm
Wattage	24W
Power Factor	PF ≥ 0.9
Operating frequency	50-60Hz
Operating Temperature	-20°C ∞ +60°C
Storage Temperature	-30°C ∞ +70°C
Net Weight per piece (g)	1094g
Certification	CE Approved; RoHS Compliant

Product Selection Guide:

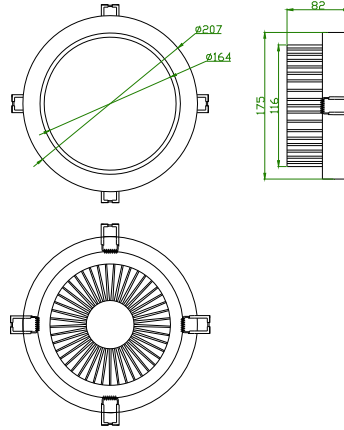
Product	Beam Angle	Total Lumens	CCT	Color	CRI
DL-WW48C	120	1580 ± 5%	2700-3500K	Warm White	≥ 80
DL-NW48C	120	1580 ± 5%	4500-5000K	Neutral White	≥ 80
DL-W48C	120	1690 ± 5%	6000-6500K	White	≥ 75

DL- / XX / 48 / C

① ② ③ ④

- ① DL: Down light
- ② XX: WW: (Warm White) NW (Neutral White)
 W (White)
- ③ 48: 48pcs of LED
- ④ C: AC100-240V input

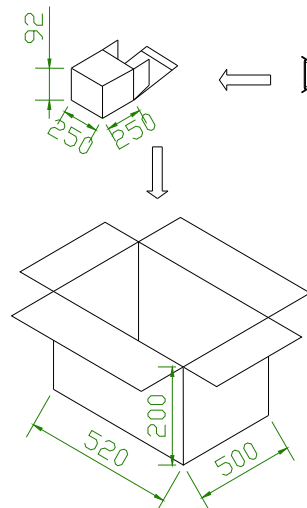
Product Dimensions:



NOTES:

1. All dimensions unit in mm
2. Tolerances is ± 0.5 mm unless otherwise noted.

Package Dimension



Small carton
250L*250W*90Hmm
(9.84"L*9.84"W*3.54H)
1pcs Down Light inside

Big carton
520L*500W*200Hmm
(20.47"L*19.69"W*7.87"H)
8pcs Down Light inside

Installation Instructions and Warnings:

- Turn off power before inspection, installation, or removal.
- Not for use where exposed to the weather
- Do not use in totally enclosed fixtures.
- Not for use with dimmers.