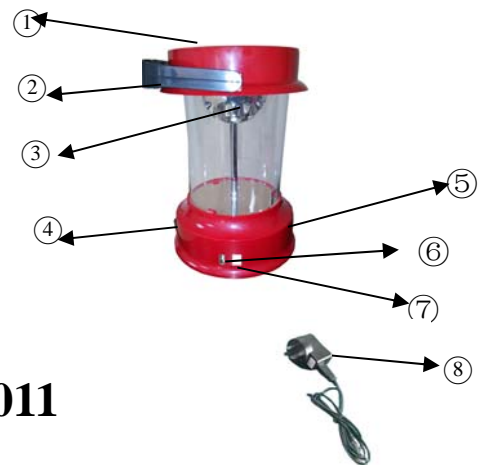


HL-SW011 Solar Portable Light

Component Part:



- ① Solar panels
- ② Handle
- ③ LED light source
- ④ Switch
- ⑤ Charge input socket
- ⑥ USB Interface
- ⑦ USB Switch
- ⑧ AC Chargers
- ⑨ Charging Indicator



Product Selection Guide:

HL-/S/W/-011

- ①
- ②
- ③
- ④

- ① HL: Handle Light
- ② S: Solar light
- ③ W: White Color
- ④ 011: Serial-number

Warning: To protect the battery life, portable lights dim, please recharge immediately .

Note:

1. Before use, please read the manual carefully, and charge;
2. For the provision of lighting your home, please ensure that there is sufficient battery power;
3. Please charge when it dim;
4. When not in use, please switch set "o" file;
5. Portable lamps 0°C (32F) broetw 40°C (104F) over the temperature environments, Their power may be reduced charge;
6. Please charge regularly, charge at least 8 hours every 3 month;
7. Mobile phone charger connection methods: As shown, through the mobile phone charger cable to connect the camping lights and mobile phone, mobile phone then enter the state of charge

Portable light charging:

1. Please charge before use;
2. Use of solar charging, put the light in sunny place, pay attention to avoid things blocked the solar panels;
3. When AC is charged, plug the charger insert "DCIN", and plug in the power, the light shows red during charging, then it will turn green when full charge;
4. When charge the possible battery somewhat to give off heat, that is the normal phenomenon.

Portable lights to use:

1. Lighting levels can be divided into two tranches, one tranche of high-brightness, Lighting time is relatively shorter, II file for low-intensity, lighting time is relatively longer;
2. Intelligent sensor light control, when the solar panels to a certain light sensor, the hand-held lights automatically go out, when the sensors to reduce light to a certain value, the portable lamp lights automatically

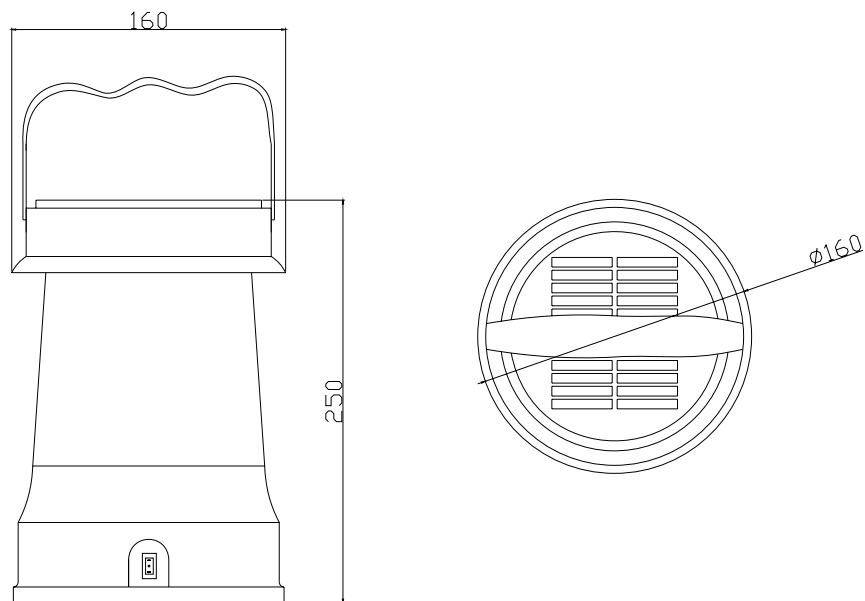
Maintenance:

1. Use a cotton swab with a little cleaning alcohol to clean the lantern body;
2. Never use strong or chemicals to clean the lantern, otherwise the plastic parts will be damaged;
3. To avoid damage of lantern, please do not use other specified battery;
4. To avoid electrical shock, please do not open the unit unless qualified person.

Specifications:

1. Material:ABS plastic shell,PC transparent plastic cover ;
2. Battery : 4v3.5AH valve maintenance-free lead-acid battery;
3. Illuminant : 0.5w super bright LED×6 PCS;
4. LED life: More than 50000 hours;
5. Charging time : AC charging 7-8 hours, solar filling 20 hours or so;
6. Lighting time : I file 10 hours, II file 20 hours;
7. Net weight : 1.1Kg
8. Size:Dia160*250mm

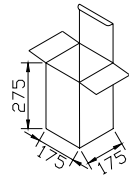
Dimensions:



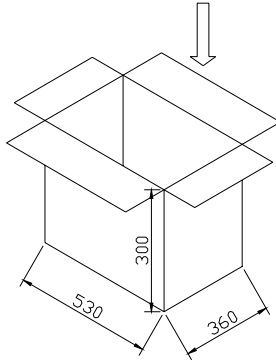
Notes:

1. All dimensions unit in mm
2. Tolerances is ± 0.5 mm unless otherwise noted.

Package Dimension:



Small carton
175L*175W*275Hmm
(6.89"L*6.89"W*10.83"H)
1pcs Solar Portable Light inside



Big carton
530L*360W*300Hmm
(20.87"L*14.17"W*11.81"H)
6pcs Solar Portable Light inside