



Features:

- No UV or IR light radiation.
- Provide 45° beam angles.
- Easy Installation:
Using Existing MR16 GU5.3 bi-pin Fixture
- Very Low Power Consumption:
Less than 4 Watts
- Long lifetime: 25000 hours (L₇₀).
- Sturdy Construction:
UV Stabilized PMMA Lens and Aluminium Alloy Lamp Shell.
- High CRI: 55-85
- Correlated Color Temperature: 2700-6500K
- Replaces MR16 Halogen Bulbs up to 30 Watts
- Operating temperature: -20°C ~ +60°C.
- 12V AC/DC input.

Benefits

- Energy Cost Savings:
Over 60% Compared to Incandescent.
- Solid-State:
High-Shock & High-Vibration Resistant,
Both Electrical and Mechanical
- Eco-Friendly:
No Mercury, No Lead Content
- No Hazardous Emissions:
No UV or IR Radiation
- Constant Light Output:
Even Lighting, Non-Halation

Application:

- Track Lighting
- Accent / Spot Lighting
- Display / Cabinet / Kiosk Lighting
- Architectural Lighting
- Art Gallery and Museum Lighting
- Other Lighting

Product Specifications:

Lens	PMMA
Lamp Shell	Aluminium Alloy
Input Voltage	12V AC/DC
Base Type	GU 5.3 Bi-Pin
Wattage	≤4W
Power Factor	PF ≥0.7
Operating frequency	50-60Hz
Operating Temperature	-20°C ∼ +60°C
Storage Temperature	-30°C ∼ +70°C
Net Weight per piece (g)	50g
Certification	CE Approved; RoHS Compliant

Product Selection Guide:

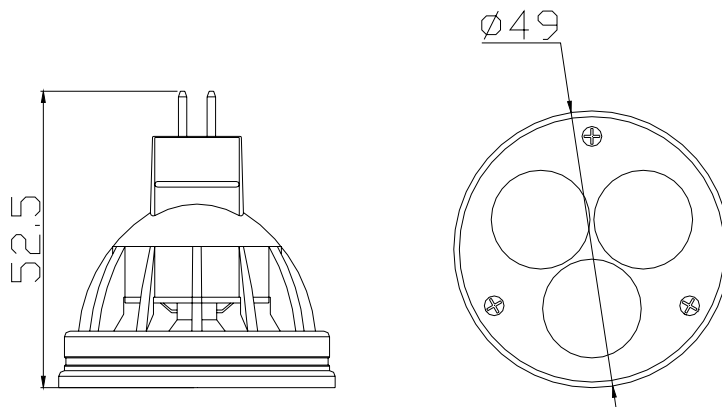
Product	Beam Angle	Total Lumens	CCT	Color	CRI
MR16-HWW1W3R5	45	260 ± 5%	2800-3200K	Warm White	≥ 55
MR16-HW1W3R5	45	200 ± 5%	5500-6500K	White	≥ 70

MR16- / H / XX / 1W / 3 / R5

① ② ③ ④ ⑤ ⑥ ⑦

- ① MR16: Product Type.
- ② H: High Power LED Series
- ③ XX: W(White) WW (Warm White)
- ④ 1W: The single LED power is 1W
- ⑤ 3: 3 pcs of LED
- ⑥ R: AC/DC 12V
- ⑦ 5: Crust type

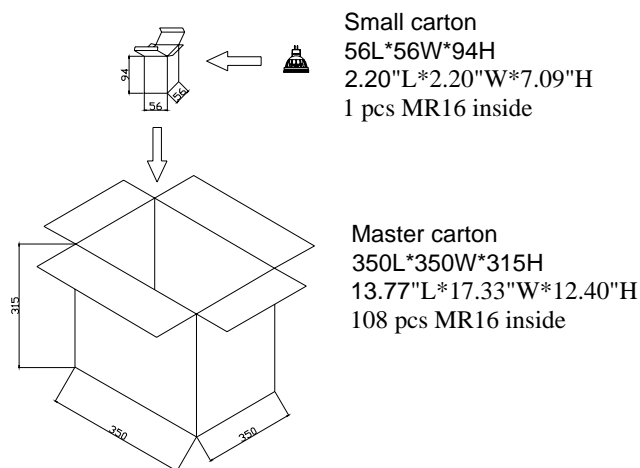
Product Dimensions:



Notes:

1. All dimensions unit in mm
2. Tolerances is ± 0.5 mm unless otherwise noted.

Package Dimension



Small carton
56L*56W*94H
2.20"L*2.20"W*7.09"H
1 pcs MR16 inside

Master carton
350L*350W*315H
13.77"L*17.33"W*12.40"H
108 pcs MR16 inside

Installation Instructions and Warnings:

- Turn off power before inspection, installation, or removal.
- Not for use where exposed to the weather
- Do not use in totally enclosed fixtures.
- Not for use with dimmers.