



Features:

- No UV or IR light radiation.
- Provide 25° beam angles.
- Easy Installation:
Using Existing MR16 GU5.3 bi-pin Fixture
- Very Low Power Consumption:
Less than 5 Watts
- Long lifetime: 25000 hours (L₇₀).
- Sturdy Construction:
UV Stabilized PMMA Lens and Ceramics Lamp Shell.
- High CRI: 75-85
- Correlated Color Temperature: 2700-12000K
- Replaces MR16 Halogen Bulbs up to 40 Watts
- Operating temperature: -20°C ~ +60°C.
- 12V AC/DC input.
- LED type: Cree LED

Benefits:

- Energy Cost Savings:
Over 60% Compared to Incandescent.
- Solid-State:
High-Shock & High-Vibration Resistant,
Both Electrical and Mechanical
- Eco-Friendly:
No Mercury, No Lead Content
- No Hazardous Emissions:
No UV or IR Radiation
- Constant Light Output:
Even Lighting, Non-Halation

Application:

- Track Lighting
- Accent / Spot Lighting
- Display / Cabinet / Kiosk Lighting
- Architectural Lighting
- Art Gallery and Museum Lighting
- Other Lighting

Product Specifications:

Lens	PMMA
Lamp Shell	Ceramics
Input Voltage	12V AC/DC
Base Type	GU 5.3 Bi-Pin
Wattage	5W
Power Factor	PF \geq 0.7
Operating frequency	50-60Hz
Operating Temperature	-20°C \sim +60°C
Storage Temperature	-30°C \sim +70°C
Net Weight per piece (g)	40g
Certification	CE Approved; RoHS Compliant

Product Selection Guide:

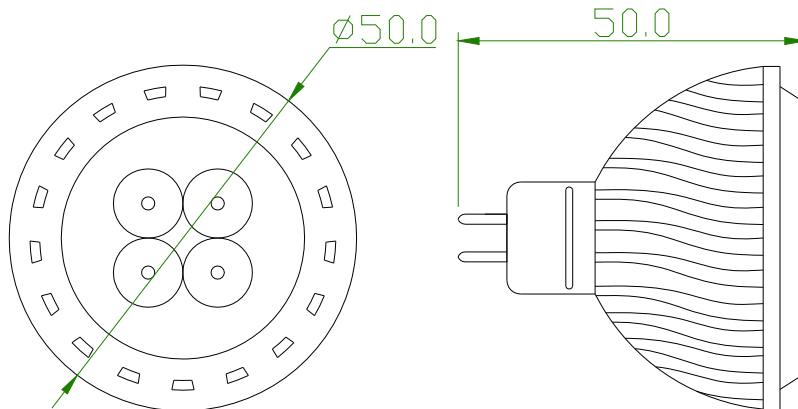
Product	Beam Angle	Total Lumens	CCT	Color	CRI
MR16-HWW1W4RC1	25°	320 \pm 5%	2700-3500K	Warm White	\geq 80
MR16-HW1W4RC1	25°	360 \pm 5%	6000-6500K	White	\geq 75

MR16- / H / XX / 1W / 4 / R / C1

① ② ③ ④ ⑤ ⑥ ⑦

- ① MR16: Product Type.
- ② H: High Power LED Series
- ③ XX: W(White) WW (Warm White)
- ④ 1W: The single LED power is 1W
- ⑤ 4: 4 pcs of LEDs
- ⑥ R: AC/DC 12V
- ⑦ C1: Cree LED

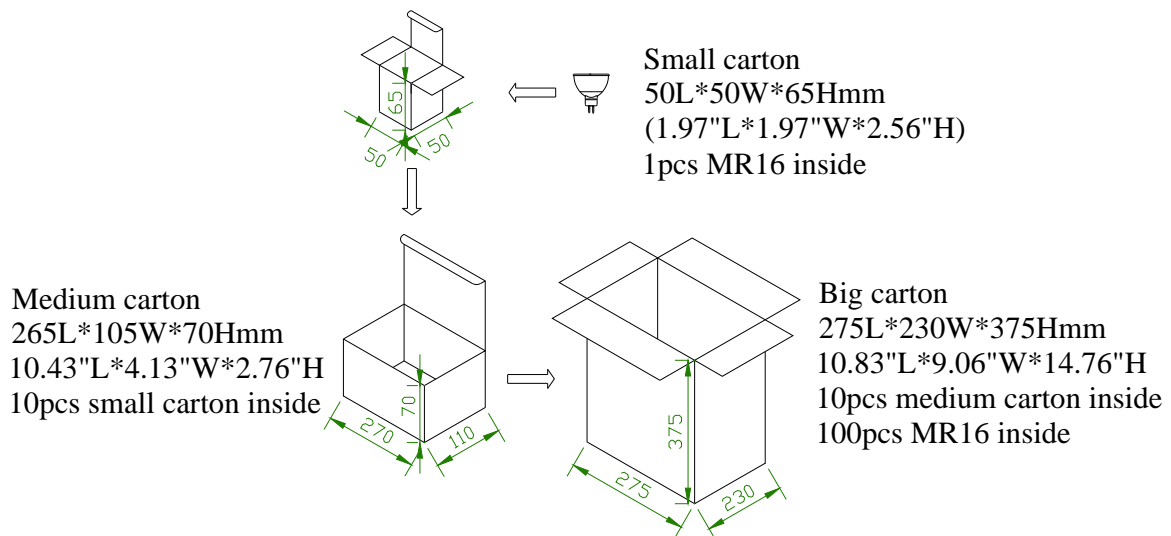
Product Dimensions:



Notes:

1. All dimensions unit in mm
2. Tolerances are ± 0.5 mm unless otherwise noted.

Package Dimension



Installation Instructions and Warnings:

- Turn off power before inspection, installation, or removal.
- Not for use where exposed to the weather
- Do not use in totally enclosed fixtures.
- Not for use with dimmers.
- Please make sure to use a suitable adapter. Please mind the minimum load of your adapter.
- 1A adapter (For Single MR16 lamp):

Input Voltage: AC 100-240V

Adapter Output Voltage: AC/DC 12V

Operation Range: 90 – 264VAC

Input Current: 0.3-0.16A

The maximum input current is measured at maximum load: 0.3A@ 100~240VAC