

Features:

- No UV or IR light radiation.
- Provide 30° beam angles.
- Easy Installation:
- Very Low Power Consumption:
Less than 18Watts
- Long lifetime: 25000 hours (L₇₀).
- Sturdy Construction:
PMMA lens And Aluminum alloy Lamp Shell.
- High CRI: 75-85
- Correlated Color Temperature: 2700-12000K
- Operating temperature: -20°C ~ +60°C.
- 100~240V AC input.
- LED type : Cree LED
- Good heat dissipation: with fan



Benefits:

- Energy Cost Savings:
Over 60% Compared to Incandescent.
- Solid-State:
High-Shock & High-Vibration Resistant,
Both Electrical and Mechanical
- Eco-Friendly:
No Mercury, No Lead Content
- No Hazardous Emissions:
No UV or IR Radiation
- Constant Light Output:
Even Lighting, Non-Halation

Application:

- Shopping Malls
- Exhibition Hall Lighting
- Display / Cabinet / Kiosk Lighting
- Architectural Lighting
- Other Lighting

Product Specifications:

Lamp Shell	Aluminum alloy
Input Voltage	100~240V AC
Lens	PMMA
Wattage	18W
Power Factor	PF \geq 0.8
Operating Frequency	50-60Hz
Operating Temperature	-20 $^{\circ}$ C \sim +60 $^{\circ}$ C
Storage Temperature	-30 $^{\circ}$ C \sim +70 $^{\circ}$ C
Net Weight per piece (Kg)	0.35Kg
Certification	CE Approved; RoHS Compliant

Product Selection Guide:

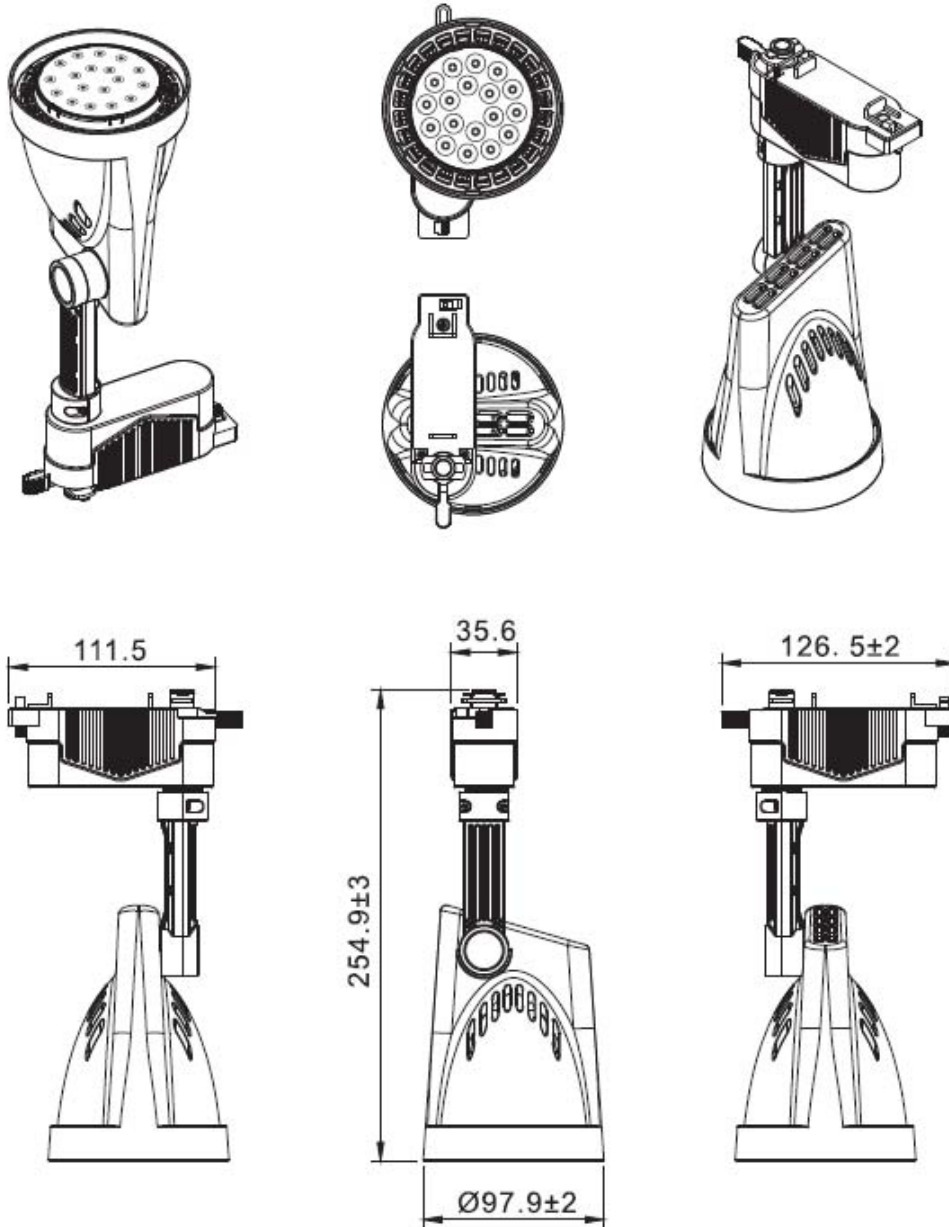
Product	Beam Angle	Total Lumens	CCT	Color	CRI
TK-HWW1W18C	30	1200 \pm 5%	2900-3300K	Warm White	\geq 82
TK-HW1W18C	30	1311 \pm 5%	5500-6500K	White	\geq 75

TK-/H/XX/1W/18/C

① ② ③ ④ ⑤ ⑥

- ① TK: Track Light
- ② H: High Power LED
- ③ XX:WW(Warm White) W(White)
- ④ 1W: the single LED power is 1W
- ⑤ 18:18pcs of LED
- ⑥ C:AC100-240V

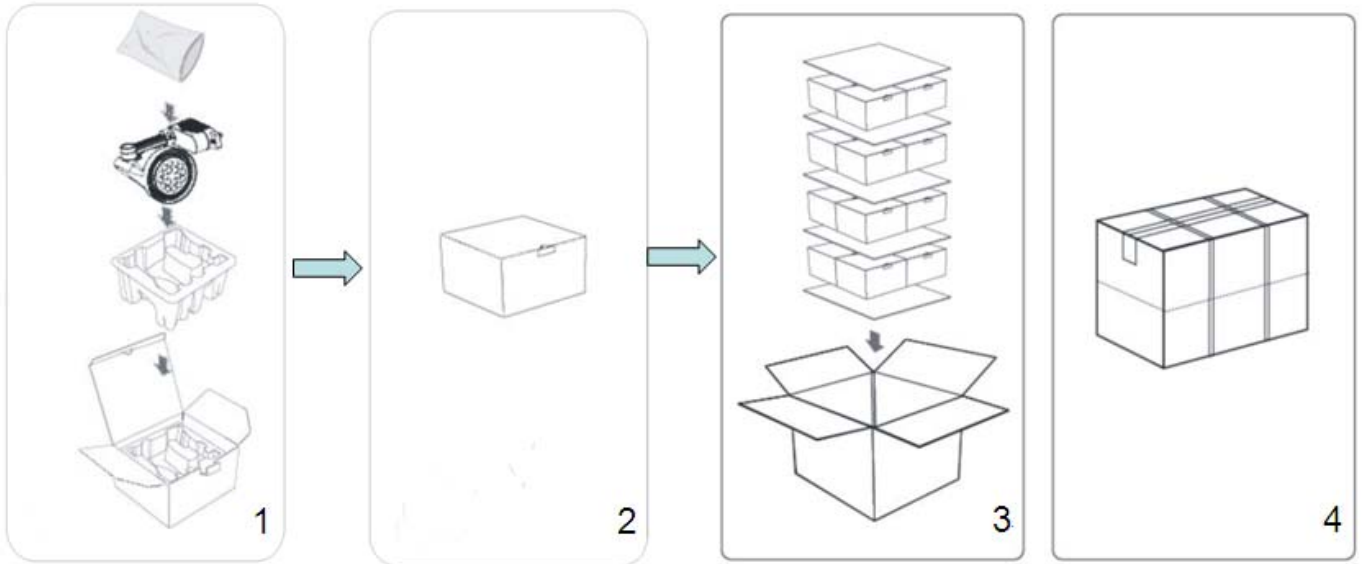
Product Dimensions:



NOTES:

- 1. All dimensions unit in mm
- 2. Tolerances is ±0.5mm unless otherwise noted.

Package Dimension:



Small package size: 220*190*125mm 1pcs of track light inside

Big carton size: 465*410*540mm 16pcs of track lights inside

Installation Instructions and Warnings:

- Turn off power before inspection, installation, or removal.
- Not for use where exposed to the weather
- Do not use in totally enclosed fixtures.
- Not for use with dimmers.