



## Features:

- No UV or IR light radiation.
- Provide 180° beam angles.
- Easy Installation:
- Very Low Power Consumption:  
Less than 10Watts
- Long lifetime: 25000 hours (L<sub>70</sub>).
- Sturdy Construction:  
Aluminium alloy and PC Shell.
- High CRI: 75-85
- Correlated Color Temperature: 3000-7000K
- Operating temperature: -20°C ~+60°C.
- 100-240V AC input.
- LED Type : 3528 LED
- In all 144 pcs of LED
- Integration tube light

## Benefits

- Energy Cost Savings:  
Over 60% Compared to Incandescent.
- Solid-State:  
High-Shock & High-Vibration Resistant,  
Both Electrical and Mechanical
- Eco-Friendly:  
No Mercury, No Lead Content
- No Hazardous Emissions:  
No UV or IR Radiation
- Constant Light Output:  
Even Lighting, Non-Halation

## Application:

- Conferences, meeting rooms, show rooms, showcases Lighting
- Villa, Residential houses Lighting
- Architectural Lighting
- Art Gallery and Museum Lighting
- Factories, plants, warehouses, offices Lighting

## Product Specifications:

Lamp Shell	Aluminium alloy and PC
Input Voltage	100-240V AC
Wattage	10W
Power Factor	PF ≥ 0.9
Operating Frequency	50-60Hz
Operating Temperature	-20°C ~ +60°C
Storage Temperature	-30°C ~ +70°C
Net Weight per piece (Kg)	0.325Kg
Certification	CE Approved; RoHS Compliant

## Product Selection Guide:

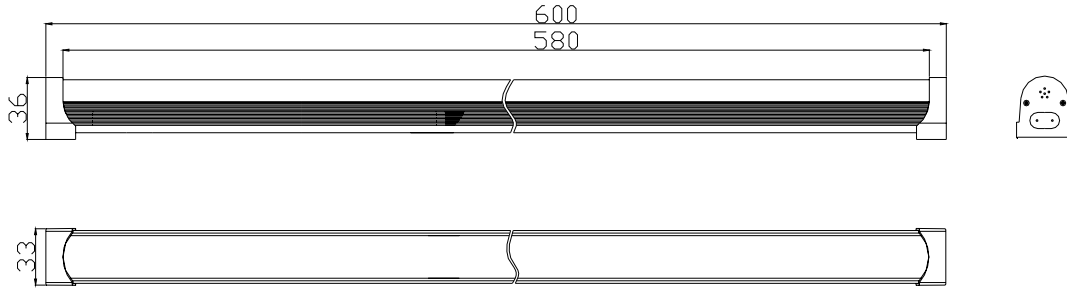
Product	Beam Angle	Total Lumens	CCT	Color	CRI
T8-WW144C6	180°	800 ± 5%	2900-3300K	Warm White	≥ 80
T8-W144C6	180°	850 ± 5%	6500-7000K	White	≥ 75

## T8- / XX / 144 / C / 6

①      ②      ③      ④      ⑤

- ① T8: Product type
- ② XX: W( White ) WW ( Warm White)
- ③ 144: 144 pcs of LED
- ④ C: AC100-240V
- ⑤ 6: Crust type

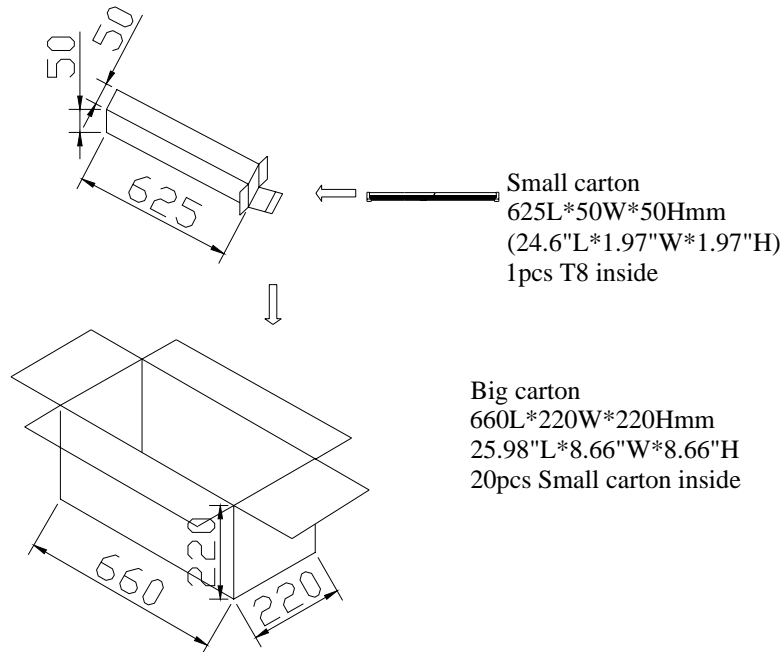
### Product Dimensions:



### Notes:

1. All dimensions unit in mm
2. Tolerances is  $\pm 0.5$ mm unless otherwise noted.

### Package Dimension



## Installation Instructions and Warnings:

- Turn off power before inspection, installation, or removal.
- Not for use where exposed to the weather.
- Do not use in totally enclosed fixtures.
- Not for use with dimmers.