



Features:

- No UV or IR light radiation.
- Provide 45° beam angles.
- Easy Installation:
- Very Low Power Consumption:
Less than 18Watts
- Long lifetime: 25000 hours (L₇₀).
- Sturdy Construction:
UV Stabilized PMMA Lens And Aluminium alloy Lamp Shell.
- High CRI: 75-85
- Correlated Color Temperature: 2700-12000K
- Operating temperature: -20°C~+60°C.
- 100~240V AC input.

Benefits

- Energy Cost Savings:
Over 60% Compared to Incandescent.
- Solid-State:
High-Shock & High-Vibration Resistant,
Both Electrical and Mechanical
- Eco-Friendly:
No Mercury, No Lead Content
- No Hazardous Emissions:
No UV or IR Radiation
- Constant Light Output:
Even Lighting, Non-Halation

Application:

- Hotle Lighting
- Display / Cabinet / Kiosk Lighting
- Architectural Lighting
- Art Gallery and Museum Lighting
- Other Lighting

Product Specifications:

Lens	PMMA
Lamp Shell	Aluminium alloy
Input Voltage	100~240V AC
Wattage	18W
Power Factor	PF \geq 0.7
Operating frequency	50-60Hz
Operating Temperature	-20 $^{\circ}$ C \sim +60 $^{\circ}$ C
Storage Temperature	-30 $^{\circ}$ C \sim +70 $^{\circ}$ C
Net Weight per piece (Kg)	6Kg
Certification	CE Approved; RoHS Compliant

Product Selection Guide:

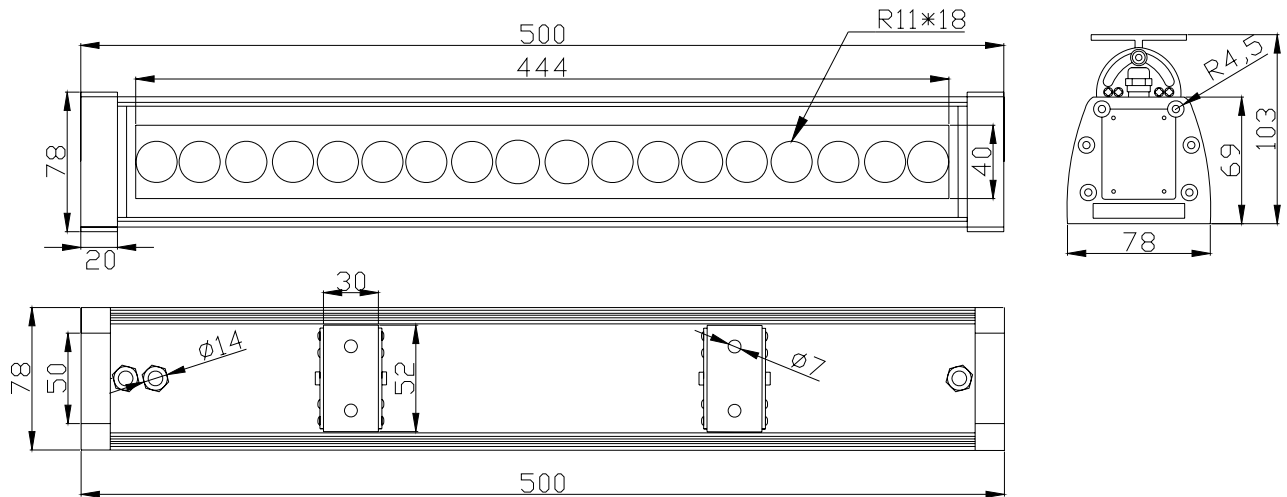
Product	Beam Angle	Total Lumens	CCT	Color	CRI
WW-HWW1W18C	45	1510 \pm 5%	2900-3300K	Warm White	\geq 80
WW-HW1W18C	45	1620 \pm 5%	5000-7000K	White	\geq 75

WW-/H/XX/1W/18/C

① ② ③ ④ ⑤ ⑥

- ① WW: Wall Washint Light
- ② H: High Power LED Type
- ③ XX: W(White) WW (Warm White)
- ④ 1W: The single LED power is 1W
- ⑤ 18: 18pcs of LED
- ⑥ C: AC 100-240V

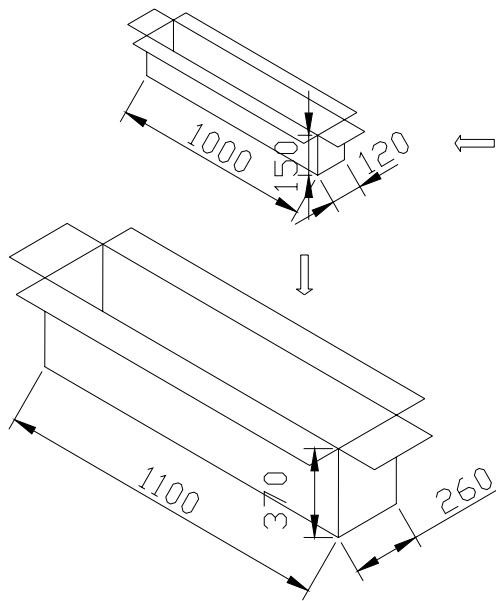
Product Dimensions:



NOTES:

1. All dimensions unit in mm
2. Tolerances is ± 0.5 mm unless otherwise noted.

Package Dimension



Small carton
1000L*120W*150Hmm
(39.37"L*4.72"W*5.91"H)
2pcs Wall washing light inside

Big carton
1100L*260W*370Hmm
43.31"L*10.24"W*14.57"H
4pcs Small Carton inside
8pcs Wall washing light inside

Installation Instructions and Warnings:

- Turn off power before inspection, installation, or removal.
- Not for use where exposed to the weather
- Do not use in totally enclosed fixtures.
- Not for use with dimmers.