



### Features:

- No UV or IR light radiation.
- Provide 45° beam angles.
- Very Low Power Consumption:  
Less than 6Watts
- Long lifetime: 25000 hours (L<sub>70</sub>).
- Sturdy Construction:  
UV Stabilized PMMA Lens And Aluminium alloy Lamp Shell.
- High CRI: 75-85
- Correlated Color Temperature: 2700-12000K
- Operating temperature: -20°C~+60°C.
- 180~240V AC input.

### Benefits

- Energy Cost Savings:  
Over 60% Compared to Incandescent.
- Solid-State:  
High-Shock & High-Vibration Resistant,  
Both Electrical and Mechanical
- Eco-Friendly:  
No Mercury, No Lead Content
- No Hazardous Emissions:  
No UV or IR Radiation
- Constant Light Output:  
Even Lighting, Non-Halation

### Application:

- Mall center lighting
- Corridor lighting
- Furniture lighting
- Hotel lighting
- Other lighting

**Product Specifications:**

Lens	PMMA
Lamp Shell	Aluminium alloy
Input Voltage	180~240V AC
Wattage	6W
Hole Diameter	∅ 86mm
Power Factor	PF ≥ 0.85
Operating frequency	50-60Hz
Operating Temperature	-20°C ∼ +60°C
Storage Temperature	-30°C ∼ +70°C
Net Weight per piece (Kg)	0.33Kg
Certification	CE Approved; RoHS Compliant

**Product Selection Guide:**

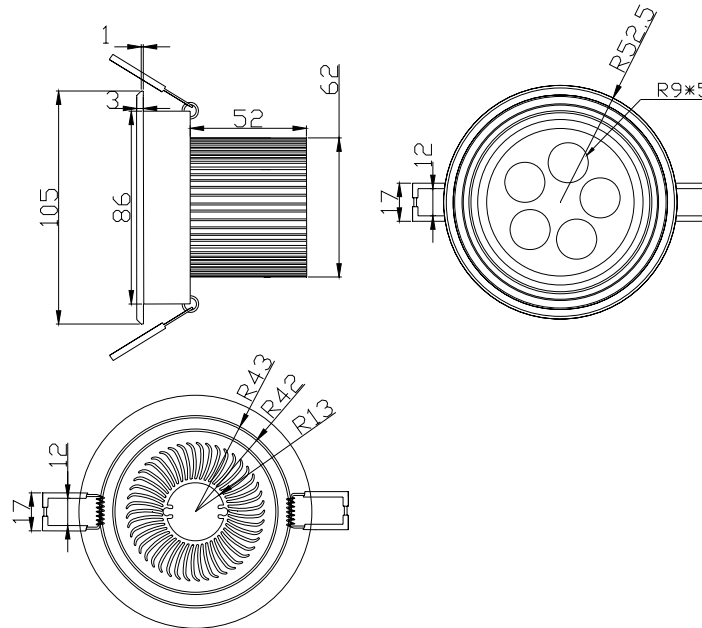
Product	Beam Angle	Total Lumens	CCT	Color	CRI
CL-HWW1W5A	45	405 ± 5%	2900-3300K	Warm White	≥ 80
CL-HW1W5A	45	450 ± 5%	5500-6500K	White	≥ 75

**CL-/H/XX/1W/5/A**

① ② ③ ④ ⑤ ⑥

- ① CL: Ceiling light
- ② H: High Power LED Type
- ③ XX: WW(Warm White) W(White)
- ④ 1W: The single LED power is 1W
- ⑤ 5: 5 pcs of LED
- ⑥ A: AC 220V

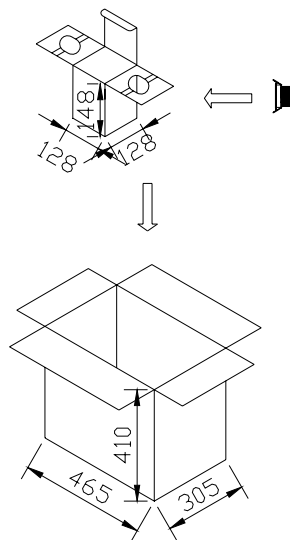
## Product Dimensions:



### NOTES:

1. All dimensions unit in mm
2. Tolerances is  $\pm 0.5$ mm unless otherwise noted.

## Package Dimension



### Small carton

128L\*128W\*148Hmm  
 (5.04"L\*5.04"W\*5.83"H)  
 1pcs Ceiling Light inside

### Big carton

465L\*305W\*410Hmm  
 (18.31"L\*12.01"W\*16.14"H)  
 20pcs Ceiling Light inside

Installation Instructions and Warnings:

- Turn off power before inspection, installation, or removal.
- Not for use where exposed to the weather
- Do not use in totally enclosed fixtures.
- Not for use with dimmers.