



### Features:

- No UV or IR light radiation.
- Provide 150° beam angles.
- Very Low Power Consumption:  
Less than 15Watts
- Long lifetime: 25000 hours (L<sub>70</sub>).
- Sturdy Construction:  
UV Stabilized PC Lens And Aluminium alloy Lamp Shell.
- High CRI: 75-80
- Correlated Color Temperature: 2900-6000K
- Operating temperature: -20°C ~+60°C.
- 100-240V AC input.

### Benefits

- Energy Cost Savings:  
Over 60% Compared to Incandescent.
- Solid-State:  
High-Shock & High-Vibration Resistant,  
Both Electrical and Mechanical
- Eco-Friendly:  
No Mercury, No Lead Content
- No Hazardous Emissions:  
No UV or IR Radiation
- Constant Light Output:  
Even Lighting, Non-Halation

### Application:

- Mall center lighting
- Corridor lighting
- Furniture lighting
- Hotel lighting
- Supermarket shopping mall lighting
- Other lighting

**Product Specifications:**

Lens	PC
Lamp Shell	Aluminium alloy
Input Voltage	100~240V AC
Wattage	15W
Power Factor	PF $\geq$ 0.7
Operating Frequency	50-60Hz
Operating Temperature	-20 $^{\circ}$ C $\sim$ +60 $^{\circ}$ C
Storage Temperature	-30 $^{\circ}$ C $\sim$ +70 $^{\circ}$ C
Net Weight per piece (Kg)	0.7Kg
Certification	CE Approved; RoHS Compliant

**Product Selection Guide:**

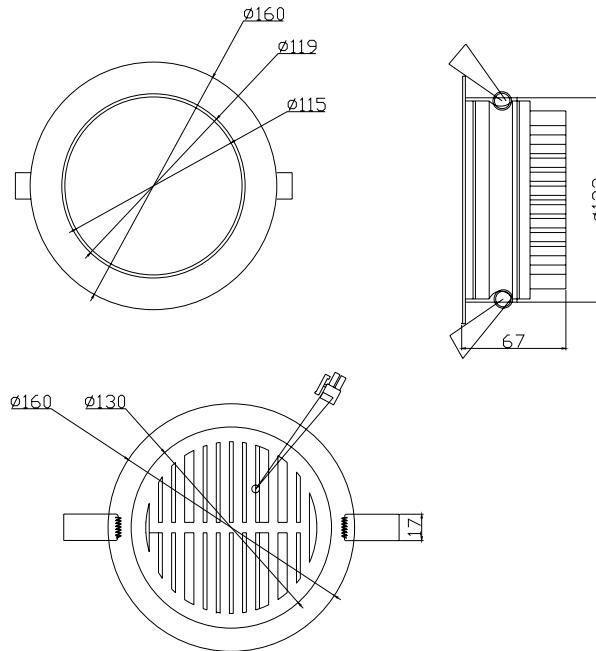
Product	Beam Angle	Total Lumens	CCT	Color	CRI
CL-HWW0.5W28C1C	150 $^{\circ}$	649 $\pm$ 5%	2900-3300K	Warm White	$\geq$ 80
CL-HW0.5W28C1C	150 $^{\circ}$	800 $\pm$ 5%	5000-6000K	White	$\geq$ 75

**CL-/H/XX/0.5W/28/C/1C**

① ② ③ ④ ⑤ ⑥ ⑦

- ① CL: Ceiling light
- ② H: High Power LED Type
- ③ XX: W( White ) WW ( Warm White)
- ④ 0.5W: The single LED power is 0.5W
- ⑤ 28: 28 pcs of LED
- ⑥ C: AC 100-240V
- ⑦ 1C:Cree MLE LED

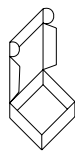
**Product Dimensions:**



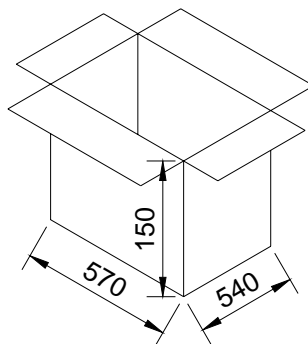
**NOTES:**

1. All dimensions unit in mm
2. Tolerances is  $\pm 0.5$ mm unless otherwise noted.

**Package Dimension**



Small carton  
185L\*175W\*70Hmm  
(7.28"L\*6.89"W\*2.76"H)  
1pcs Ceiling Light inside



Big carton  
570L\*540W\*150Hmm  
(22.44"L\*21.26"W\*5.9"H)  
12pcs Ceiling Light inside

Installation Instructions and Warnings:

- Turn off power before inspection, installation, or removal.
- Not for use where exposed to the weather
- Do not use in totally enclosed fixtures.
- Not for use with dimmers.