



### Features:

- No UV or IR light radiation.
- Lens angle can be 30/45/60.
- Very Low Power Consumption:  
Less than 10Watts
- Long lifetime: 25000 hours (L<sub>70</sub>).
- Sturdy Construction:  
UV Stabilized PMMA Lens And Aluminium alloy Lamp Shell.
- High CRI: 75-80
- Correlated Color Temperature: 2700-6000K
- Operating temperature: -20°C ~ +60°C.
- 100-240V AC input.

### Benefits

- Energy Cost Savings:  
Over 60% Compared to Incandescent.
- Solid-State:  
High-Shock & High-Vibration Resistant,  
Both Electrical and Mechanical
- Eco-Friendly:  
No Mercury, No Lead Content
- No Hazardous Emissions:  
No UV or IR Radiation
- Constant Light Output:  
Even Lighting, Non-Halation

### Application:

- Mall center lighting
- Corridor lighting
- Furniture lighting
- Hotel lighting
- Supermarket shopping mall lighting
- Other lighting

**Product Specifications:**

Lens	PMMA
Lamp Shell	Aluminium alloy
Input Voltage	100~240V AC
Wattage	10W
Power Factor	PF ≥ 0.7
Operating Frequency	50-60Hz
Operating Temperature	-20°C ∞ +60°C
Storage Temperature	-30°C ∞ +70°C
Net Weight per piece (Kg)	0.47Kg
Certification	CE Approved; RoHS Compliant
Size	H80*D94*90

**Product Selection Guide:**

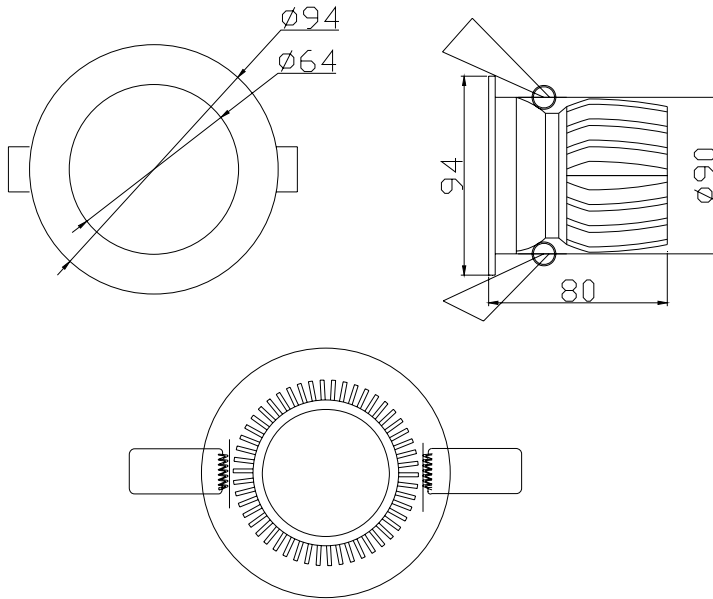
Product	Beam Angle	Total Lumens	CCT	Color	CRI
CL-HWW10WC2C	45°	500 ± 5%	2900-3300K	Warm White	≥ 80
CL-HW10WC2C	45°	550 ± 5%	5000-6000K	White	≥ 75

**CL-/H/XX/10W/C/2C/**

①      ②      ③      ④      ⑤      ⑥

- ① CL: Ceiling light
- ② H: High Power LED Type
- ③ XX: W( White )    WW ( Warm White)
- ④ 10W: LED power is 10W
- ⑤ C: AC100-240V
- ⑥ 2C: Cree MCE LED

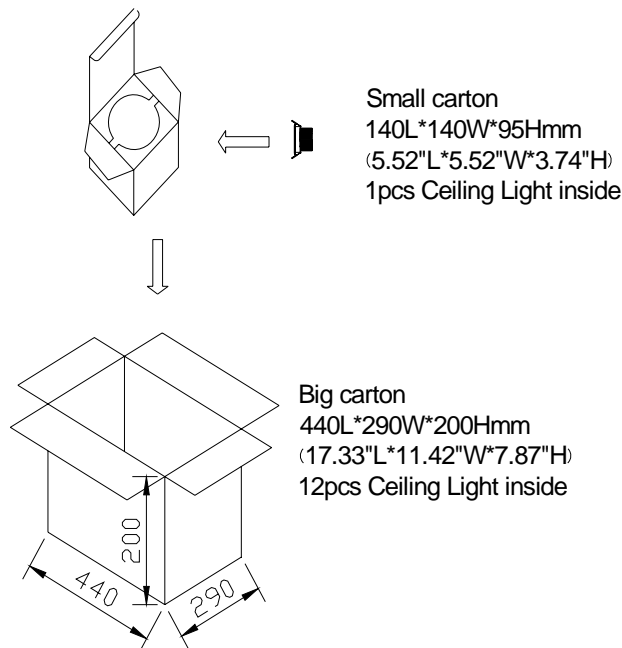
**Product Dimensions:**



**NOTES:**

1. All dimensions unit in mm
2. Tolerances is  $\pm 0.5$ mm unless otherwise noted.

**Package Dimension**



**Installation Instructions and Warnings:**

- Turn off power before inspection, installation, or removal.
- Not for use where exposed to the weather
- Do not use in totally enclosed fixtures.
- Not for use with dimmers.