



Features:

- No UV or IR light radiation.
- Lens angle can be 30/45/60.
- Very Low Power Consumption:
Less than 7Watts
- Long lifetime: 25000 hours (L₇₀).
- Sturdy Construction:
UV Stabilized PMMA Lens And Aluminium alloy Lamp Shell.
- High CRI: 75-80
- Correlated Color Temperature: 2700-6000K
- Operating temperature: -20°C ~ +60°C.
- 100-240V AC input.

Benefits

- Energy Cost Savings:
Over 60% Compared to Incandescent.
- Solid-State:
High-Shock & High-Vibration Resistant,
Both Electrical and Mechanical
- Eco-Friendly:
No Mercury, No Lead Content
- No Hazardous Emissions:
No UV or IR Radiation
- Constant Light Output:
Even Lighting, Non-Halation

Application:

- Mall center lighting
- Corridor lighting
- Furniture lighting
- Hotel lighting
- Supermarket shopping mall lighting
- Other lighting

Product Specifications:

Lens	PMMA
Lamp Shell	Aluminium alloy
Input Voltage	100~240V AC
Wattage	7W
Power Factor	PF ≥ 0.7
Operating frequency	50-60Hz
Operating Temperature	-20°C ∞ +60°C
Storage Temperature	-30°C ∞ +70°C
Net Weight per piece (Kg)	0.27Kg
Certification	CE Approved; RoHS Compliant
Size	H70*D75

Product Selection Guide:

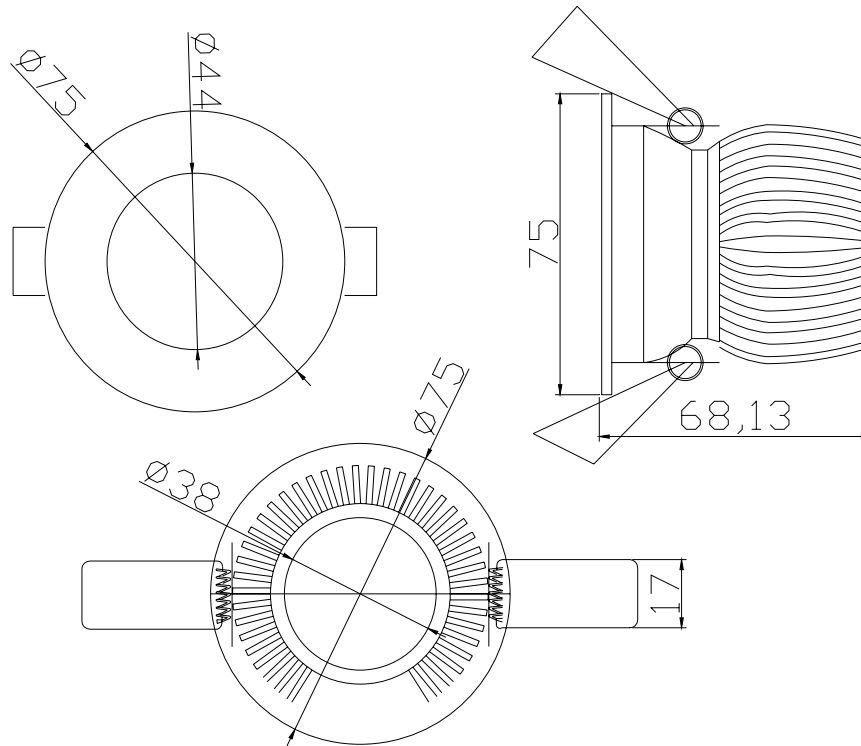
Product	Beam Angle	Total Lumens	CCT	Color	CRI
CL-HWW7WC2C	45	450 ± 5%	2900-3300K	Warm White	≥ 82
CL-HW7WC2C	45	480 ± 5%	5000-6000K	White	≥ 75

CL-/H/XX/7W/C/2C/

① ② ③ ④ ⑤ ⑥

- ① CL: Ceiling light
- ② H: High Power LED Type
- ③ XX: W(White) WW (Warm White)
- ④ 7W: LED power is 7W
- ⑤ C: AC100-240V
- ⑥ 2C: Cree MCE LED

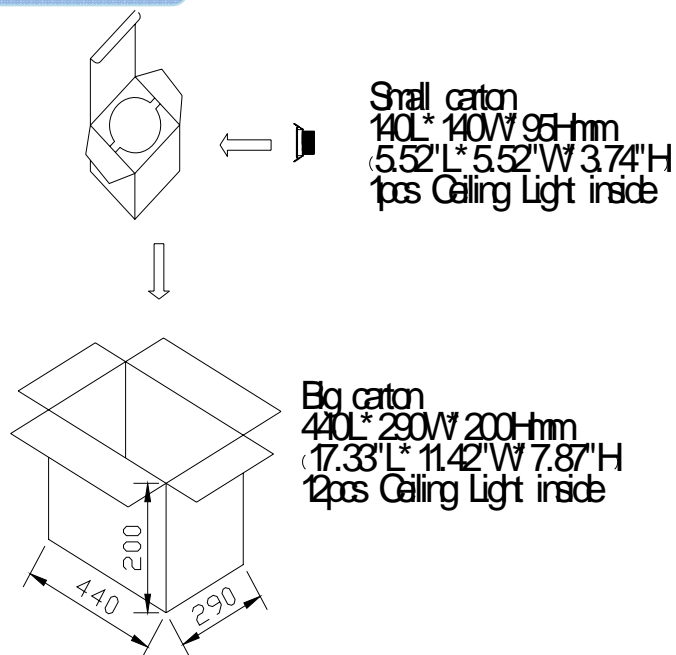
Product Dimensions:



NOTES:

1. All dimensions unit in mm
2. Tolerances is ± 0.5 mm unless otherwise noted.

Package Dimension



Installation Instructions and Warnings:

- Turn off power before inspection, installation, or removal.
- Not for use where exposed to the weather
- Do not use in totally enclosed fixtures.
- Not for use with dimmers.