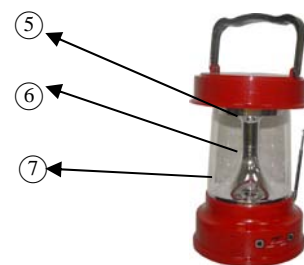


HL-SW006 Solar Portable Light

Component Part:



- ① Handle
- ② Solar panels
- ③ Switch
- ④ Charge input socket
- ⑤ LED light source
- ⑥ Reflector up
- ⑦ Transparent lampshade
- ⑧ AC Chargers
- ⑨ Charging Indicator
- ⑩ Mobile Phone Charger
- ⑪ Cell Phone charger adapter cable



Product Selection Guide:

HL-/S/W/006

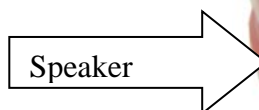
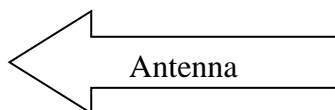
- ①
- ②
- ③

- ① HL: HandleLight
- ② S: Solar light
- ③ W: White Color
- ④ 006: Serial-number



Warning: To protect the battery life, portable lights dim, please recharge immediately .

FM Radio Feature:



“OFF_____ON”: The “OFF” is shut down the radio, The “ON” is open the radio, and the “_____” is \pm volume.

“Scan”: automatic conversion radio stations

“Reset”: Back to low frequency

“Antenna”: Receive radio

Note:

1. Before use, please read the manual carefully and charge;
2. For the provision of lighting your home, please ensure that there is sufficient battery power;
3. Please charge when it dim;
4. Portable lights when not in use, please switch set “o” file;
5. Portable lamps 0°C (32F) to 40°C (104F) over the temperature environments, Their power may be reduced charge;
6. Please charge regularly, charge at least 8 hours every 3 month;
7. Mobile phone charger connection methods: As shown, through the mobile phone charger cable to connect the camping lights and mobile phone, mobile phone then enter the state of charge

Portable lights to use:

1. Lighting levels can be divided into two tranches ,one tranche of high-brightness, Lighting time is relatively shorter , If file for low-intensity, lighting time is relatively longer;
2. Intelligent sensor light control , when the solar panels to a certain light sensor, the hand-held lights automatically go out ,when the sensors to reduce light to a certain value, the portable lamp lights automatically

Portable light charging:

1. Please charge before use;
2. Use of solar charging, put the light in sunny place, pay attention to avoid things blocked the solar panels;
3. When AC is charged, plug the charger insert "DCIN", and plug in the power, the light shows red during charging, then it will turn green when full charge;
4. When charge the possible battery somewhat to give off heat, that is the normal phenomenon.

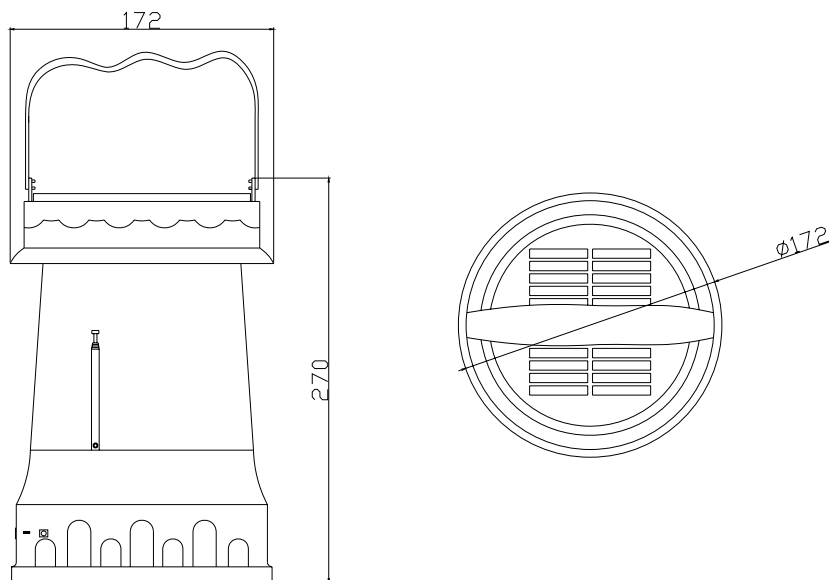
Maintenance:

1. Use a cotton swab with a little cleaning alcohol to clean the lantern body;
2. Never use strong or chemicals to clean the lantern, otherwise the plastic parts will be damaged;
3. To avoid damaging the lantern, please do not use other specified battery;
4. To avoid electrical shock, please do not open the unit unless qualified person.

Specifications:

1. Material: ABS plastic shell, PC transparent plastic cover;
2. Battery: 4v3.5AH valve maintenance-free lead-acid battery;
3. Illuminant: 0.5w super bright LED×6 PCS;
4. LED life: More than 25000 hours;
5. Charging time: AC charging 7-8 hours, solar filling 20 hours or so;
6. Lighting time: I file 20 hours, II file 30 hours;
7. Net weight: 1.1Kg

Dimensions:



Notes:

1. All dimensions unit in mm
2. Tolerances is ± 0.5 mm unless otherwise noted.

Package Dimension:

