



Features:

- No UV or IR light radiation.
- Provide 36° beam angles.
- Easy Installation:
Using Existing MR16 GU5.3 bi-pin Fixture
- Very Low Power Consumption:
Less than 5.5Watts
- Long lifetime: 25000 hours (L₇₀).
- Sturdy Construction:
UV Stabilized PMMA Lens and Aluminium Lamp Shell.
- High CRI: 75-85
- Correlated Color Temperature:2700-12000K
- Replaces MR16 Halogen Bulbs up to 50 Watts
- Operating temperature: -20°C~+60°C.
- 12V AC/DC input.

Benefits:

- Energy Cost Savings:
Over 60% Compared to Incandescent.
- Solid-State:
High-Shock & High-Vibration Resistant,
Both Electrical and Mechanical
- Eco-Friendly:
No Mercury, No Lead Content
- No Hazardous Emissions:
No UV or IR Radiation
- Constant Light Output:
Even Lighting, Non-Halation

Application:

- Track Lighting
- Accent / Spot Lighting
- Display / Cabinet / Kiosk Lighting
- Architectural Lighting
- Art Gallery and Museum Lighting
- Other Lighting

Product Specifications:

Lens	PMMA
Lamp Shell	Aluminium
Input Voltage	12V AC/DC
Base Type	GU 5.3 Bi-Pin
Wattage	5.5W
Power Factor	PF ≥ 0.8
Operating Frequency	50-60Hz
Operating Temperature	-20°C ~ +60°C
Storage Temperature	-30°C ~ +70°C
Net Weight per piece (Kg)	0.06Kg
Certification	CE Approved; RoHS Compliant

Product Selection Guide:

Product	Beam Angle	Total Lumens	CCT	Color	CRI
MR16-HWW1W6R	36°	400 ± 5%	2700-3200K	Warm White	≥ 80
MR16-HW1W6R	36°	450 ± 5%	5500-6500K	White	≥ 75

MR16- / H / XX / 1W / 6 / R

① ② ③ ④ ⑤ ⑥

③ MR16: Product Type.

① 6: 6 pcs of LED

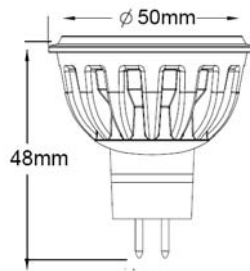
④ H: High Power LED Series

② R: AC/DC 12V

⑤ XX: W(White) WW (Warm White)

⑥ 1W: The single LED power is 1W

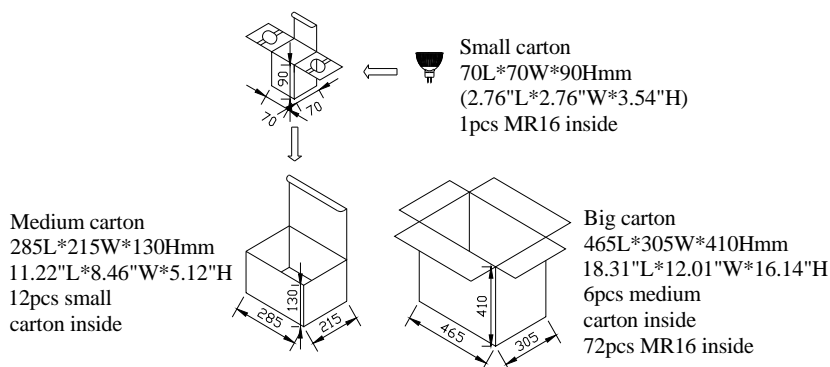
Product Dimensions:



Notes:

1. All dimensions unit in mm
2. Tolerances are $\pm 0.5\text{mm}$ unless otherwise noted.

Package Dimension:



Installation Instructions and Warnings:

- Turn off power before inspection, installation, or removal.
- Not for use where exposed to the weather
- Do not use in totally enclosed fixtures.
- Not for use with dimmers.
- Please make sure to use a suitable adapter. Please mind the minimum load of your adapter.
- 1A adapter (For Single MR16 lamp):

Input Voltage: AC 100-240V

Adapter Output Voltage: AC/DC 12V

Operation Range: 90 – 264VAC

Input Current: 0.3-0.16A

The maximum input current is measured at maximum load: 0.3A@ 100~240VAC