



### Features:

- No UV or IR light radiation.
- Provide 120° beam angles.
- Easy Installation:  
Using Existing G13 Fixture
- Very Low Power Consumption:  
Less than 18 Watts
- Long lifetime: 25000 hours (L<sub>70</sub>).
- Sturdy Construction:
- PC and Aluminium alloy Lamp Shell.
- Correlated Color Temperature: 2800-7000K
- Operating temperature: -20°C~+60°C.
- 100-240V AC input.
- LED Type :2835 0.2WLED
- In all 96 pcs LED
- When no vehicle or person go into the induction zone, all the infrared LED Tube light are in a dormant state, the power consumption of each lamp tube is 3W. When a vehicle or person go into the induction area, the lamp tube of low brightness is lighted automatically, the power is 16W, when cars or people are in the induction zone, LED daylight lamp always maintain high brightness .When the cars or the person leaves the sensing area 30 seconds later, LED will go into low luminance condition automatically.

### Benefits

- Energy Cost Savings:  
Over 60% Compared to Incandescent.
- Solid-State:  
High-Shock & High-Vibration Resistant,  
Both Electrical and Mechanical
- Eco-Friendly:  
No Mercury, No Lead Content
- No Hazardous Emissions:  
No UV or IR Radiation
- Constant Light Output:  
Even Lighting, Non-Halation

### Application:

- Conferences, meeting rooms, show rooms, showcases Lighting
- Villa, Residential houses Lighting
- Art Gallery and Museum Lighting
- Factories, plants, warehouses, offices Lighting
- Parking lot lighting

### Product Specifications:

Lamp Shell	Aluminium alloy and PC
Input Voltage	100-240V AC
Wattage	18 W
Power Factor	PF $\geq$ 0.95
Operating frequency	50-60Hz
Operating Temperature	-20°C $\sim$ +60°C
Storage Temperature	-30°C $\sim$ +70°C
Sensor diameter in 3meters height	6 meters
Inductive overtime	25~30s
Reaction Time	0.5s
Net Weight per piece (g)	330g
Certification	CE Approved; RoHS Compliant
Size	$\phi$ 26*1200mm

### Product Selection Guide:

Product	Beam Angle	Total Lumens	CCT	Color	CRI
T8-WW96C-IR	120°	1700 $\pm$ 5%	2700-3500K	Warm White	$\geq$ 80
T8-W96C-IR	120°	1800 $\pm$ 5%	6000-6500K	White	$\geq$ 70

## T8- /XX/96/C/IR

① ② ③ ④ ⑤

① T8: Product type

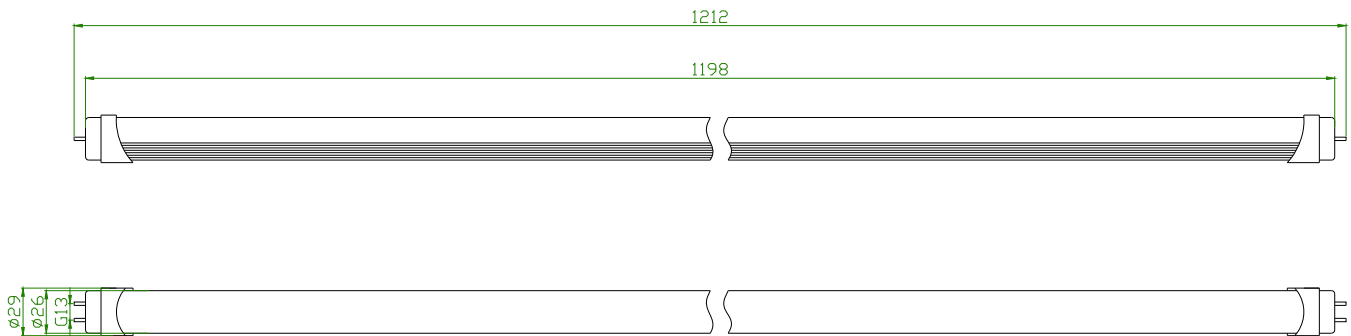
④ C: AC 100-240V

② XX: W( White ) WW ( Warm White)

⑤ IR: Infrared human induction

③ 96: 96 pcs of LED

### Product Dimensions:

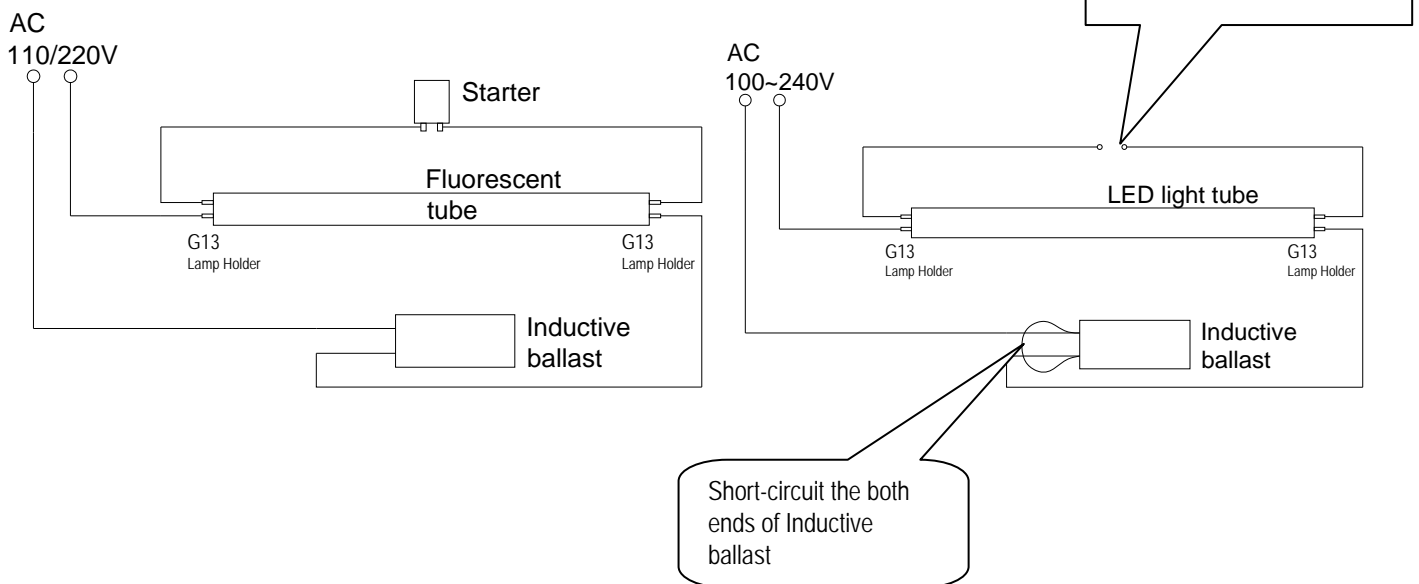


### Notes:

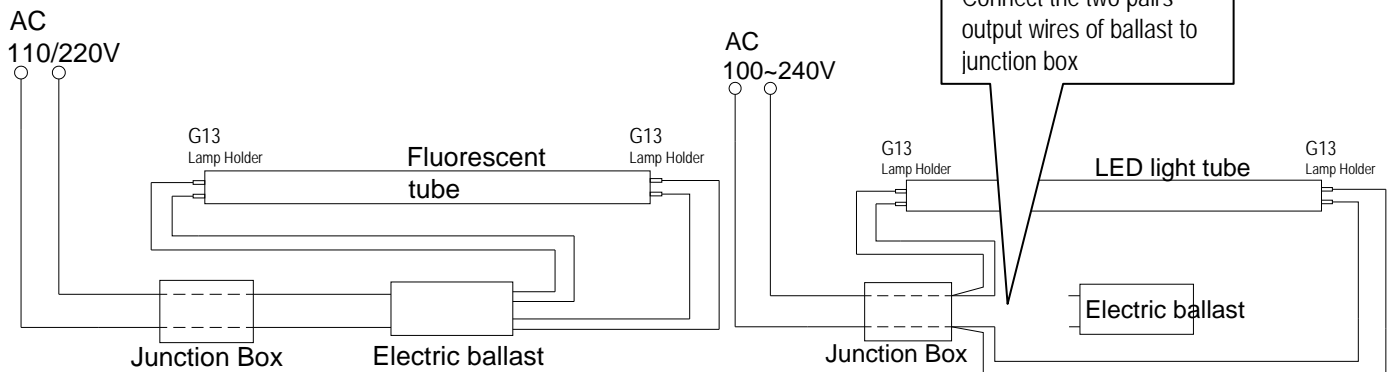
1. All dimensions unit in mm.
2. Tolerances is  $\pm 0.5$ mm unless otherwise noted.

### Wiring Diagram:

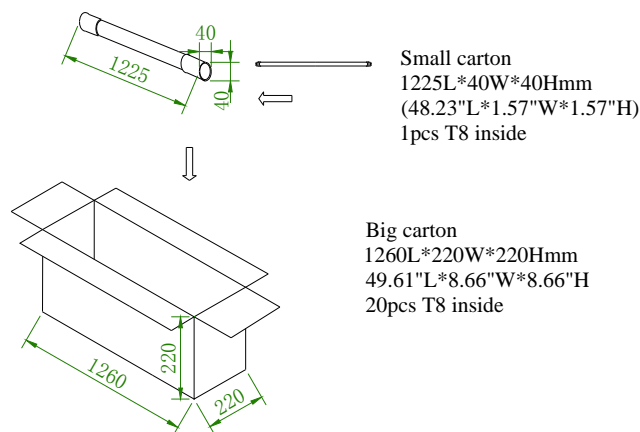
#### ● Lamp bracket of inductive ballast :



● Lamp bracket of electronic ballast :



### Packing Dimensions:



### Installation Instructions and Warnings:

- Turn off power before inspection, installation, or removal.
- Do not use in totally enclosed fixtures.
- Not for use with dimmers.