



### Features:

- No UV or IR light radiation.
- Provide 120° beam angles.
- Easy Installation:  
Using Existing G13 Fixture
- Very Low Power Consumption:  
Less than 12 Watts
- Long lifetime: 25000 hours (L<sub>70</sub>).
- Sturdy Construction:
- PC and Aluminium alloy Lamp Shell.
- High CRI: 70-85
- Correlated Color Temperature: 2700-7000K
- Operating temperature: -20°C ~ +60°C.
- 100-240V AC input.
- LED Type :2835 LED 0.2W/PCS

### Benefits:

- Energy Cost Savings:  
Over 60% Compared to Incandescent.
- Solid-State:  
High-Shock & High-Vibration Resistant,  
Both Electrical and Mechanical
- Eco-Friendly:  
No Mercury, No Lead Content
- No Hazardous Emissions:  
No UV or IR Radiation
- Constant Light Output:  
Even Lighting, Non-Halation

### Application:

- Conferences, meeting rooms, show rooms, showcases Lighting
- Villa, Residential houses Lighting
- Art Gallery and Museum Lighting
- Factories, plants, warehouses, offices Lighting
- Parking lot lighting

### Product Specifications:

Lamp Shell	Aluminium alloy and PC
Input Voltage	100-240V AC
Wattage	12 W
Power Factor	PF $\geq$ 0.92
Operating frequency	50-60Hz
Operating Temperature	-20°C $\sim$ +60°C
Storage Temperature	-30°C $\sim$ +70°C
Net Weight per piece (g)	216
Certification	CE Approved; RoHS Compliant
Size	$\phi$ 26*900mm

### Product Selection Guide:

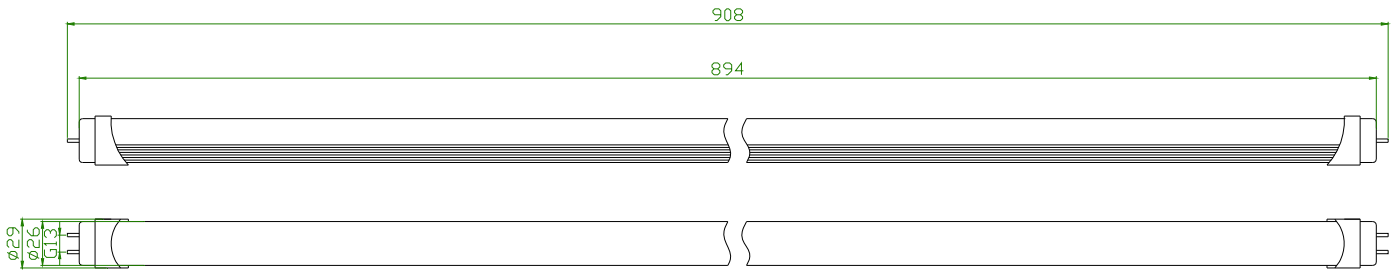
Product	Beam Angle	Total Lumens	CCT	Color	CRI
T8-WW60C	120°	1000 $\pm$ 5%	2700-3500K	Warm White	$\geq$ 80
T8-W60C	120°	1100 $\pm$ 5%	6000-6500K	White	$\geq$ 70

## T8- /XX/60/C

① ② ③ ④

- ① T8: Product type
- ② XX: W( White ) WW ( Warm White)
- ③ 60: 60 pcs of LED
- ④ C: AC100~240V input

### Product Dimensions:

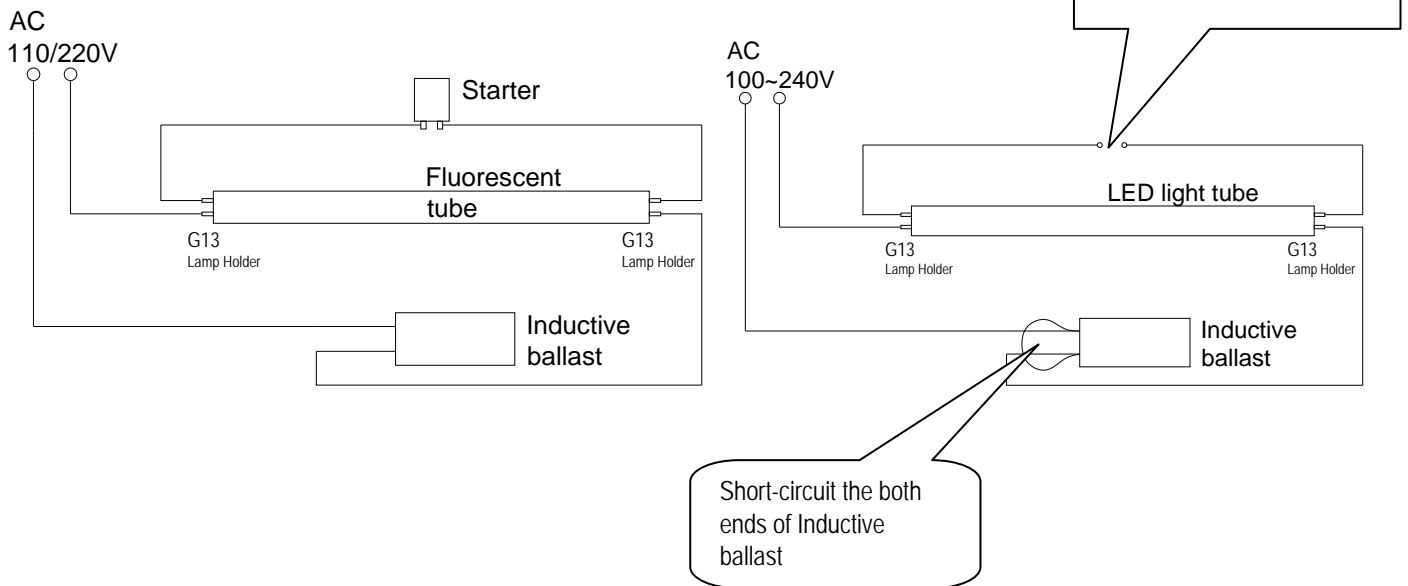


### Notes:

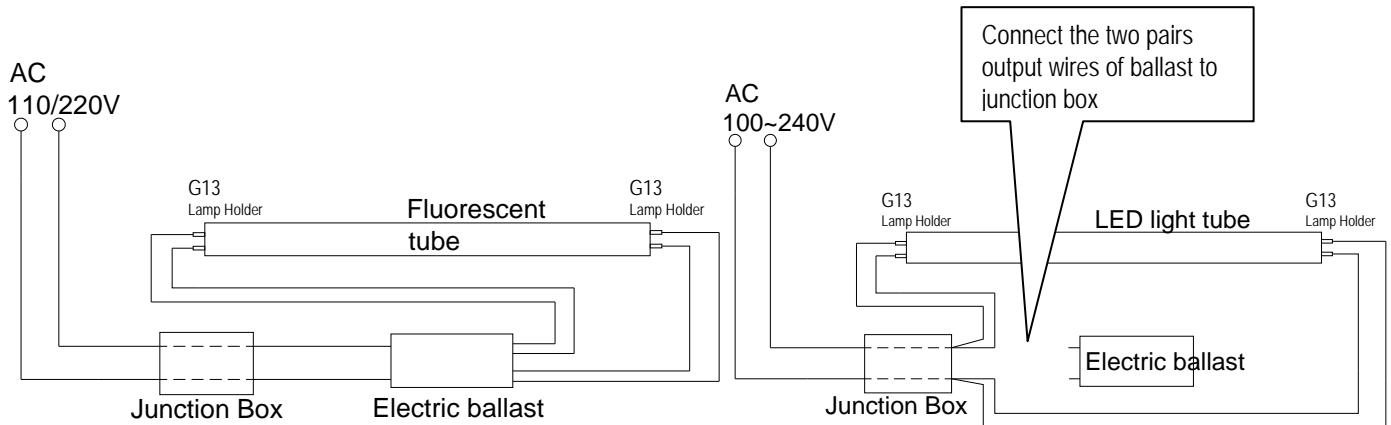
1. All dimensions unit in mm.
2. Tolerances are  $\pm 0.5\text{mm}$  unless otherwise noted.

### Wiring Diagram:

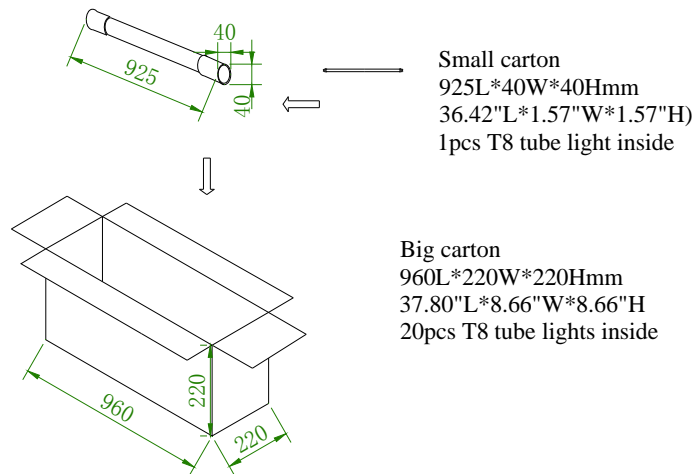
#### ● Lamp bracket of inductive ballast :



● Lamp bracket of electronic ballast :



### Packing Dimensions:



### Installation Instructions and Warnings:

- Turn off power before inspection, installation, or removal.
- Not for use where exposed to the weather
- Do not use in totally enclosed fixtures.
- Not for use with dimmers.