



Features:

- No UV or IR light radiation.
- Provide 120° beam angles.
- Easy Installation:
- Very Low Power Consumption:
Less than 20 Watts
- Long lifetime: 25000 hours (L₇₀).
- Sturdy Construction:
UV Stabilized toughened glass and Aluminum alloy Lamp Base.
- High CRI: 70-85
- Correlated Color Temperature: 2700-12000K
- Operating temperature: -20°C ~ +60°C.
- AC100~240 V input.
- LED type: 1 Module LED

Benefits

- Energy Cost Savings:
Over 60% Compared to Incandescent.
- Solid-State:
High-Shock & High-Vibration Resistant,
Both Electrical and Mechanical
- Eco-Friendly:
No Mercury, No Lead Content
- No Hazardous Emissions:
No UV or IR Radiation
- Constant Light Output:
Even Lighting, Non-Halation

Application:

- Shopping mall lighting.
- Exhibition hall lighting
- Parking lot lighting.
- Gymnasium lighting
- park, sculpture and national green lighting project
- Tourist attractions lighting
- Green area lighting.
- The building elevation of lighting
- Other light sources.

Product Specifications:

Diffuser	Toughened glass
Input Voltage	AC100-240V
IP	IP-65
Wattage	20W
Power Factor	PF ≥ 0.9
Operating frequency	50-60Hz
Operating Temperature	-20°C ∞ +60°C
Storage Temperature	-30°C ∞ +70°C
N.W(Kg)	1.1Kg
Certification	CE Approved; RoHS Compliant

Product Selection Guide:

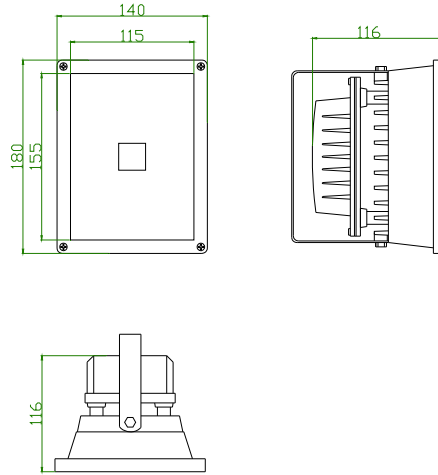
Product	Beam Angle	Total Lumens(lm)	Color Temp /Wavelength	Color	CRI
FL-HWW20W1C	120°	1800 ± 5%	2700K~3500K	White White	≥ 80
FL-HW20W1C	120°	2000 ± 5%	6000K~6500K	White	≥ 70

FL/-H/XX/20W/1/C

① ② ③ ④ ⑤ ⑥

- ① FL: Product Type
- ② H: High Power LED
- ③ XX: W(White Color)
WW(Warm White)
- ④ 20W: the Single LED Power is 20W
- ⑤ 1: 1pcs of LED
- ⑥ C: AC100-240V input

Product Dimensions:



Notes:

1. All dimensions unit in mm
2. Tolerances are $\pm 0.5\text{mm}$ unless otherwise noted.

Package Dimension

