



### Features:

- No UV or IR light radiation.
- Provide 120° beam angles.
- Easy Installation:
- Very Low Power Consumption:  
Less than 36 Watts
- Long lifetime: 25000 hours (L<sub>70</sub>).
- Sturdy Construction:  
UV Stabilized PMMA Lens and Waterproof aluminum alloy Lamp Shell.
- High CRI: 75-85
- Correlated Color Temperature: 2700-12000K
- Operating temperature: -20°C~+60°C.
- 100~240V AC input.
- IP degree: IP67

### Benefits

- Energy Cost Savings:  
Over 60% Compared to Incandescent.
- Solid-State:  
High-Shock & High-Vibration Resistant,  
Both Electrical and Mechanical
- Eco-Friendly:  
No Mercury, No Lead Content
- No Hazardous Emissions:  
No UV or IR Radiation
- Constant Light Output:  
Even Lighting, Non-Halation

### Application:

- Hotel Lighting
- Display / Cabinet / Kiosk Lighting
- Architectural Lighting
- Art Gallery and Museum Lighting
- Other Lighting

### Product Specifications:

Lens	PMMA
Lamp Shell	Waterproof Aluminum alloy
Input Voltage	100-240V AC
Wattage	36W
Power Factor	PF ≥ 0.8
Operating Frequency	50-60Hz
Operating Temperature	-20°C ∼ +60°C
Storage Temperature	-30°C ∼ +70°C
Net Weight per piece (Kg)	5Kg
Certification	CE Approved; RoHS Compliant

### Product Selection Guide:

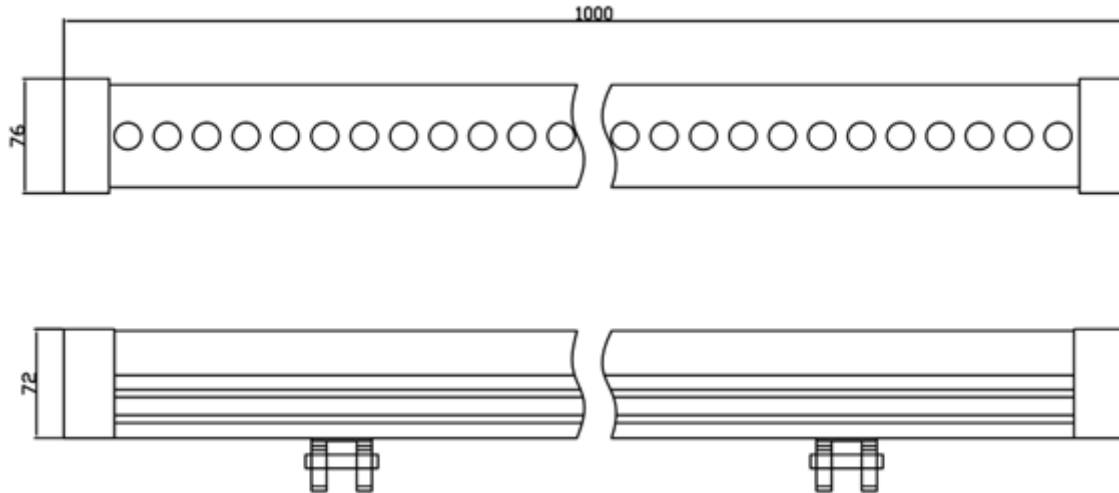
Product	Beam Angle	Total Lumens	CCT	Color	CRI
WW-HF1W36C	30°	-----	Red 624nm	Full Color	-----
			Green 525nm		
			Blue 470nm		
WW-HW1W36C	30°	3200	5700-6300K	White	≥ 70
WW-HWW1W36C	30°	2850	2900-3300K	Warm White	≥ 75

## WW-/H/XX/1W/36/C

①                      ②                      ③                      ④                      ⑤                      ⑥

- ① WW: Wall Washing Light
- ② H: High Power LED Type
- ③ XX: WW(Warm White) W( White)  
F: RGB Full Color
- ④ 1W: The single LED power is 1W
- ⑥ C: AC 100-240V

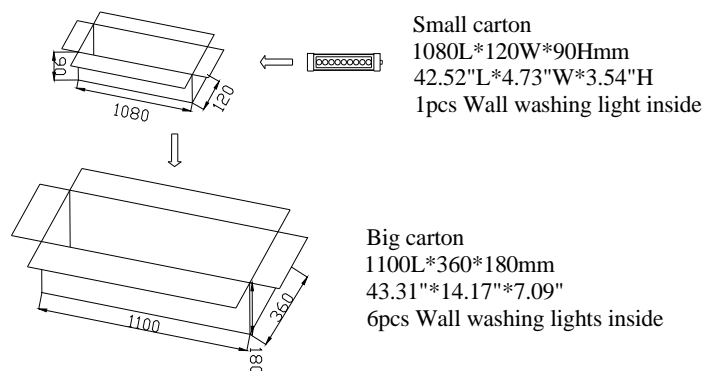
### Product Dimensions:



### NOTES:

1. All dimensions unit in mm
2. Tolerances are  $\pm 0.5$ mm unless otherwise noted.

### Package Dimension



### Installation Instructions and Warnings:

- Turn off power before inspection, installation, or removal.
- Do not use in totally enclosed fixtures.
- Not for use with dimmers.